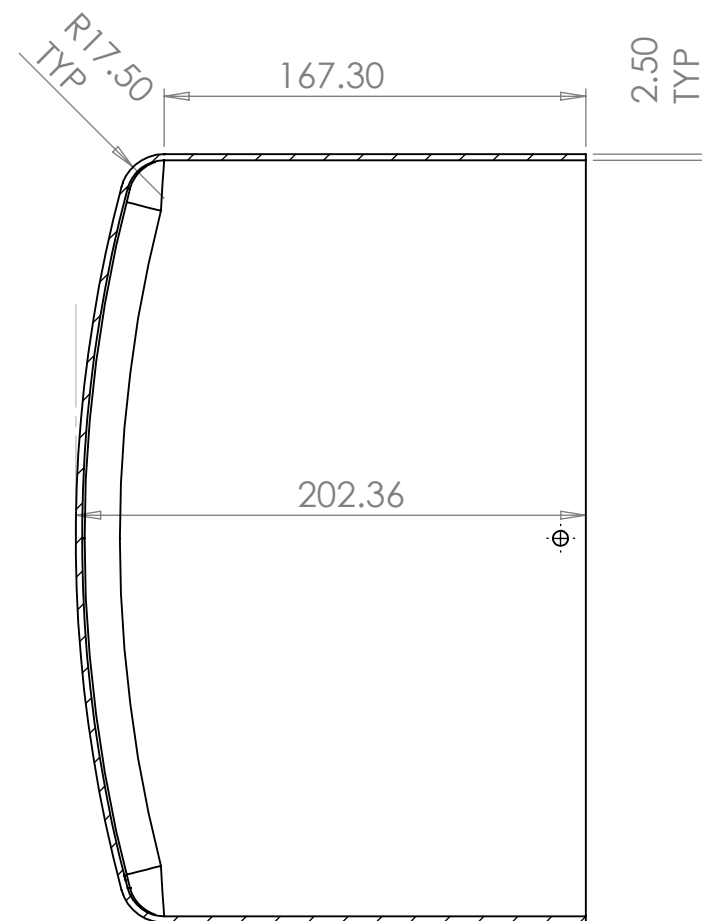
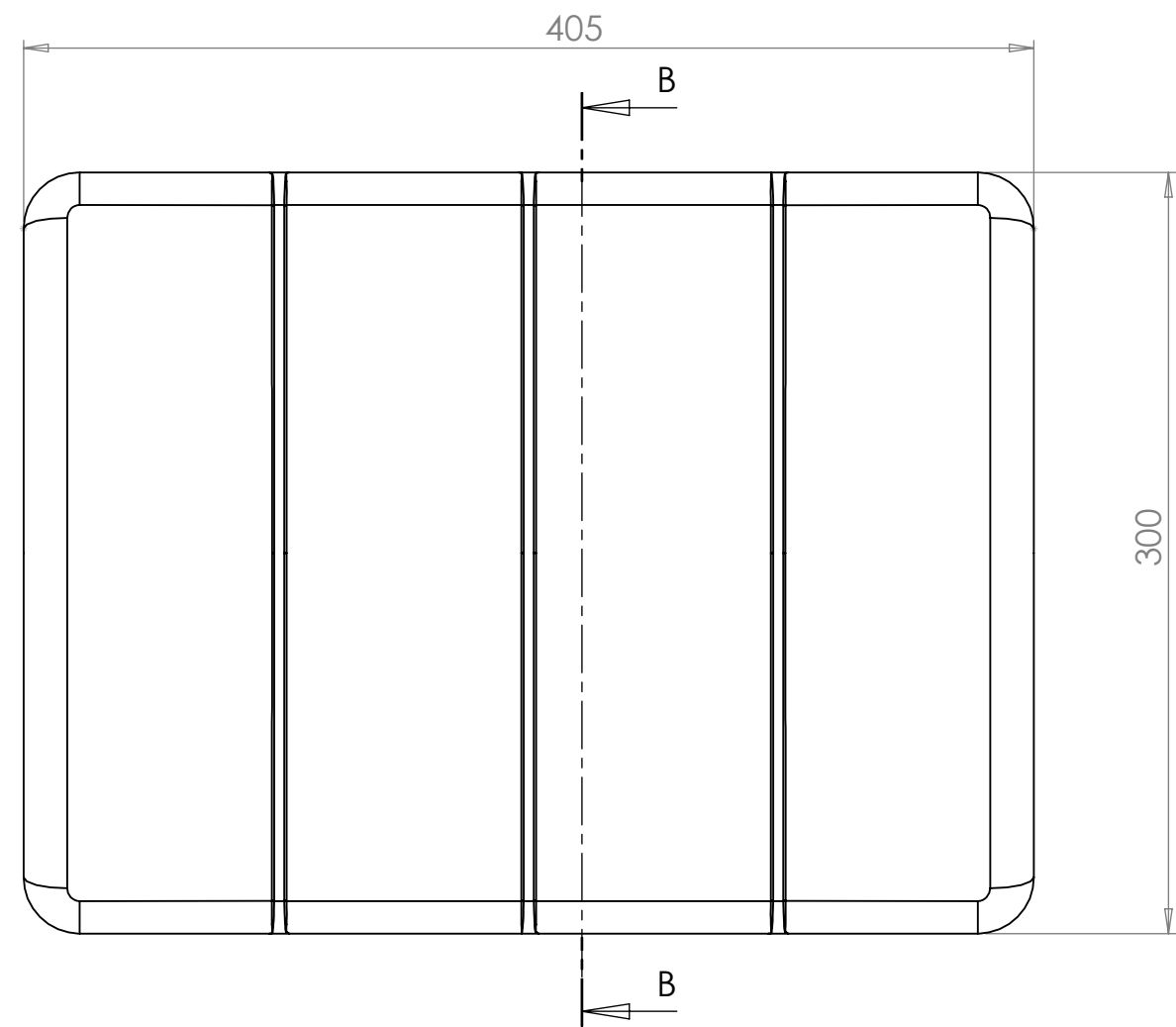
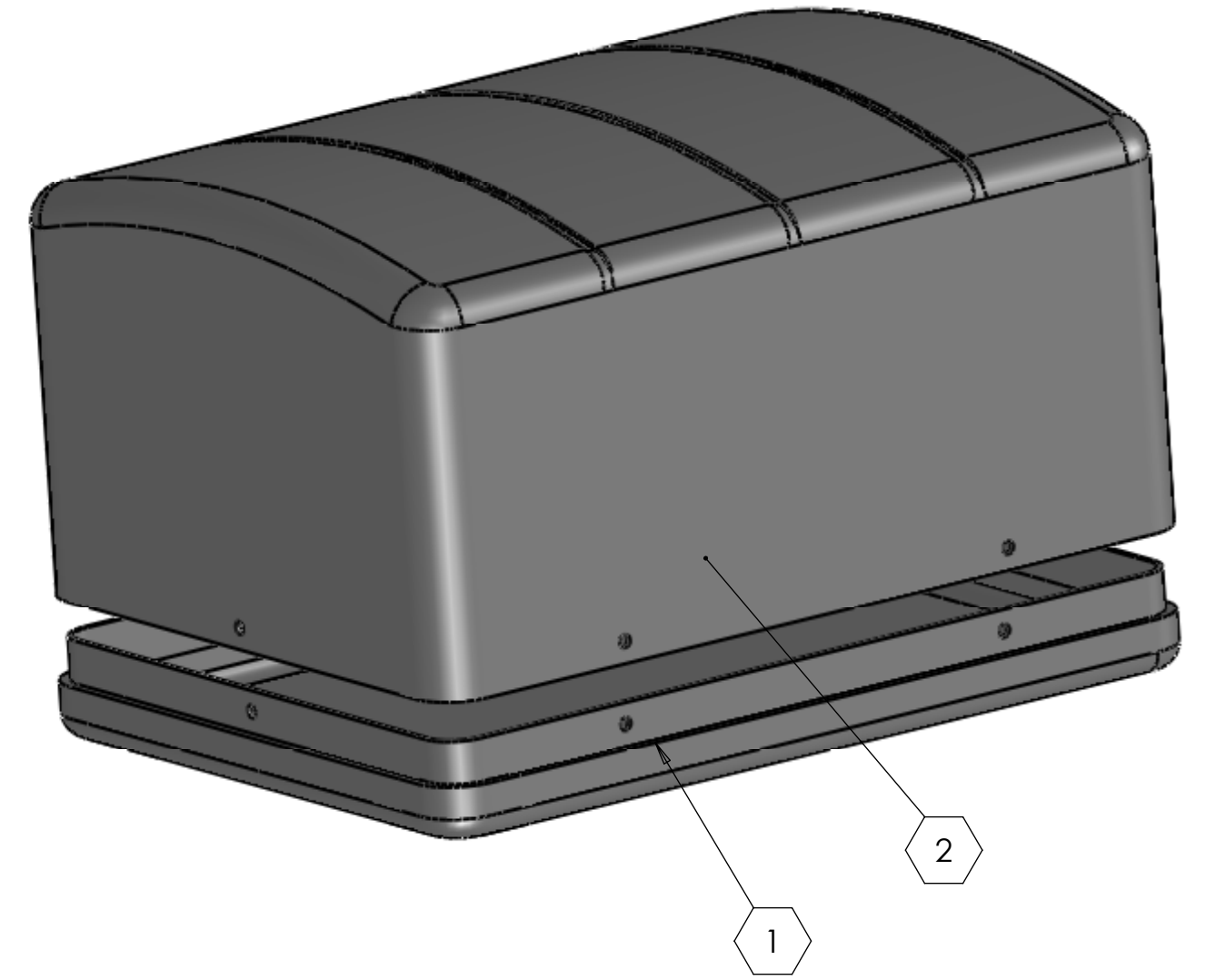


SECTION A-A
SCALE 1 : 3



SECTION B-B
SCALE 1 : 3

BOM Table			
ITEM NO.	PART NUMBER	DESCRIPTION	QTY.
1	405 base box		1
2	405 main box		1

ISSUE	DESCRIPTION	INITIALS	E.C.N. No	DATE	ALL DIMENSIONS IN MILLIMETERS
1	ORIGINAL ISSUE	CA		13/07/2011	TOLERANCES (AT 20C) UNLESS OTHERWISE STATED
					NOMINAL LINEAR DIMENSIONS
					OVER-INCL <-0.00 0.00
					0-200 +/- 0.50 +/- 0.15
					250-1000 +/- 1.00 +/- 0.20
					1000 PLUS +/- 2.00 +/- 0.30
					SURFACE FINISHES
					MILLING N8
					TURNING N7
					GRINDING N6
					ANG DIMS +/- 0.5
					REMOVE ALL BURRS AND SHARP EDGES UNLESS OTHERWISE STATED
					Holes to BS4500 1985.
					Threads to BS3643 1981 METRIC COURSE.
					BSP Threads to BS 2779 MED FIT
					THIS A DRAWING IS A PRIVATE AND CONFIDENTIAL COMMUNICATION

Reverie Limited
Unit 2 Chandlers Row
Colchester
Essex
CO1 2HG
01206 866663
www.reverie.ltd.uk

DRAWN CA
DATE 13/07/2011
FINISH Polished
SCALE Do Not Scale Drawing
Weight

TITLE R01SE0139 Hockenheim 405
MATERIAL Carbon Fibre
Matl.Sik Code
DRG. No. R01SE0139_V1