

A

B

C

D

E

F

A

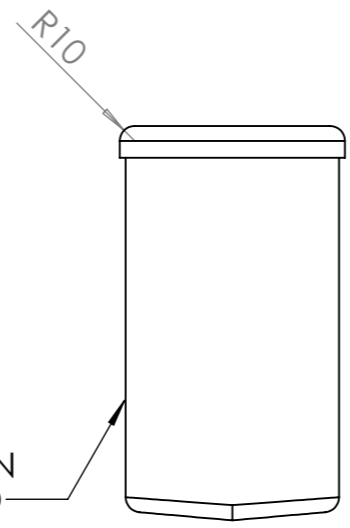
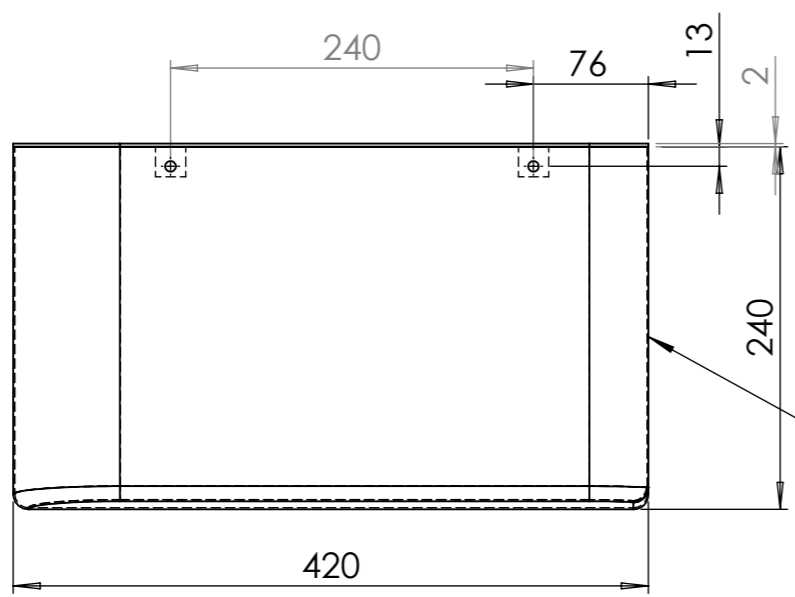
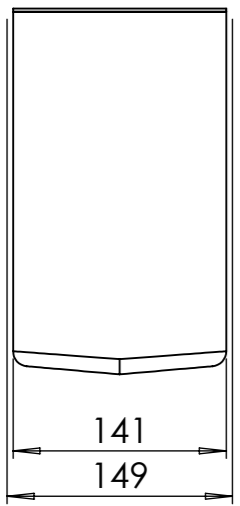
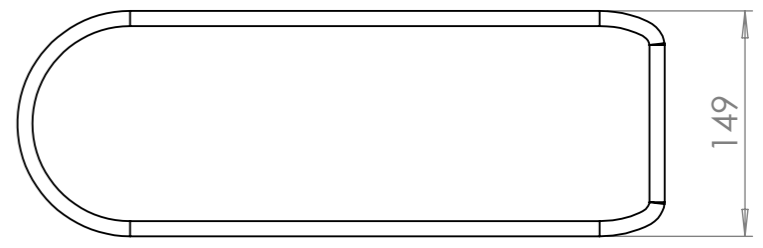
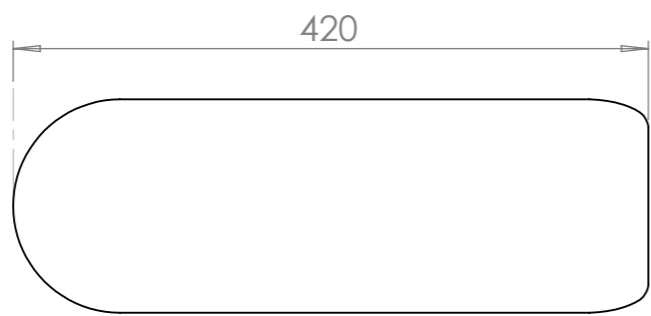
B

C

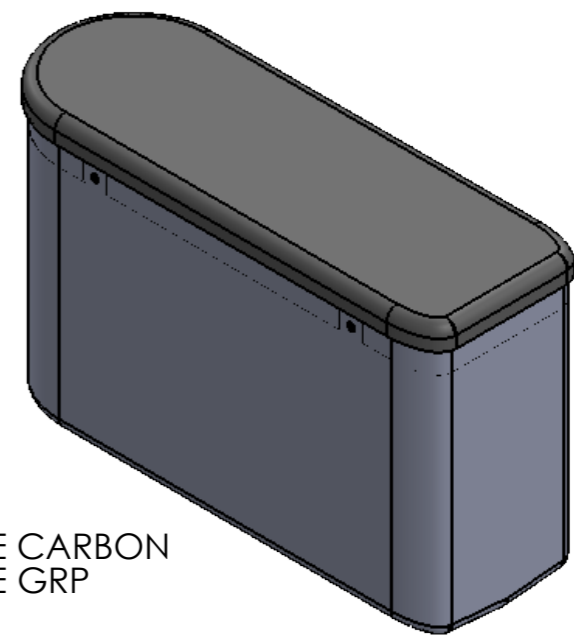
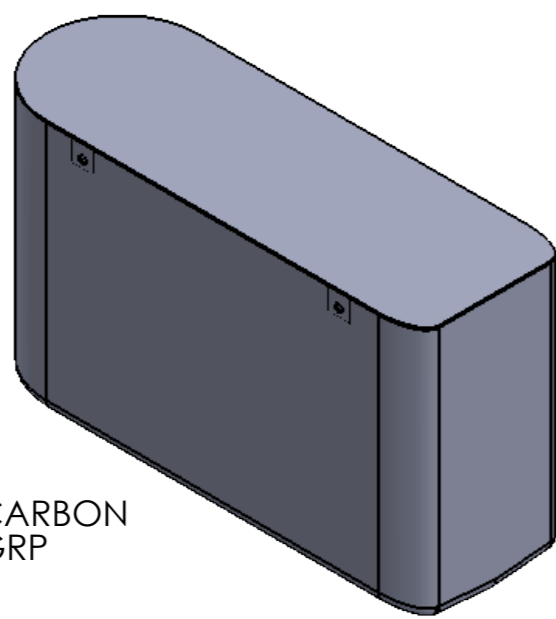
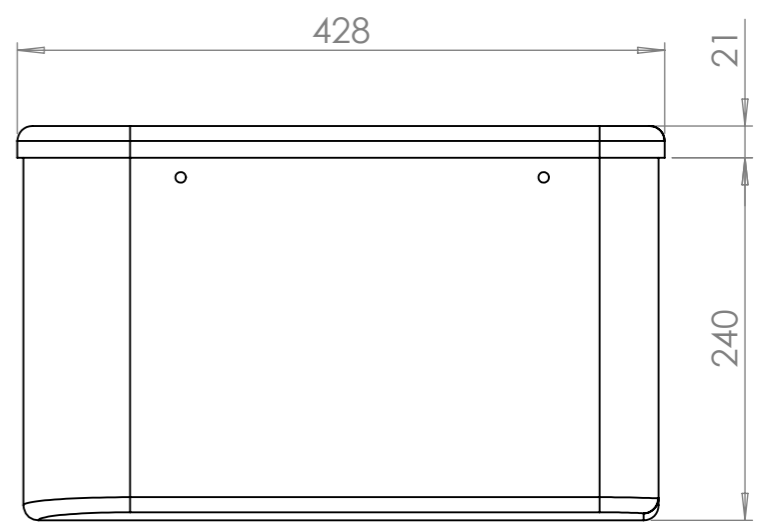
D

E

F



BOX HEIGHT CAN BE CUSTOMIZED



R01SE0077: 422 FLAT B/PLATE CARBON
R01SE0099: 422 FLAT B/PLATE GRP

R01SE0033: 422 20mm B/PLATE CARBON
R01SE0090: 422 20mm B/PLATE GRP

PRODUCTION\QUALITY SIGN OFF: SIMON FARREN
COSTING\SPECIFICATION SIGN OFF: SIMON FARREN

A3 SHEET 1 OF 3

ISS:	DESCRIPTION:	INITIALS:	E.C.N. NO:	DATE:
1	Original issue	CA		19/07/2011

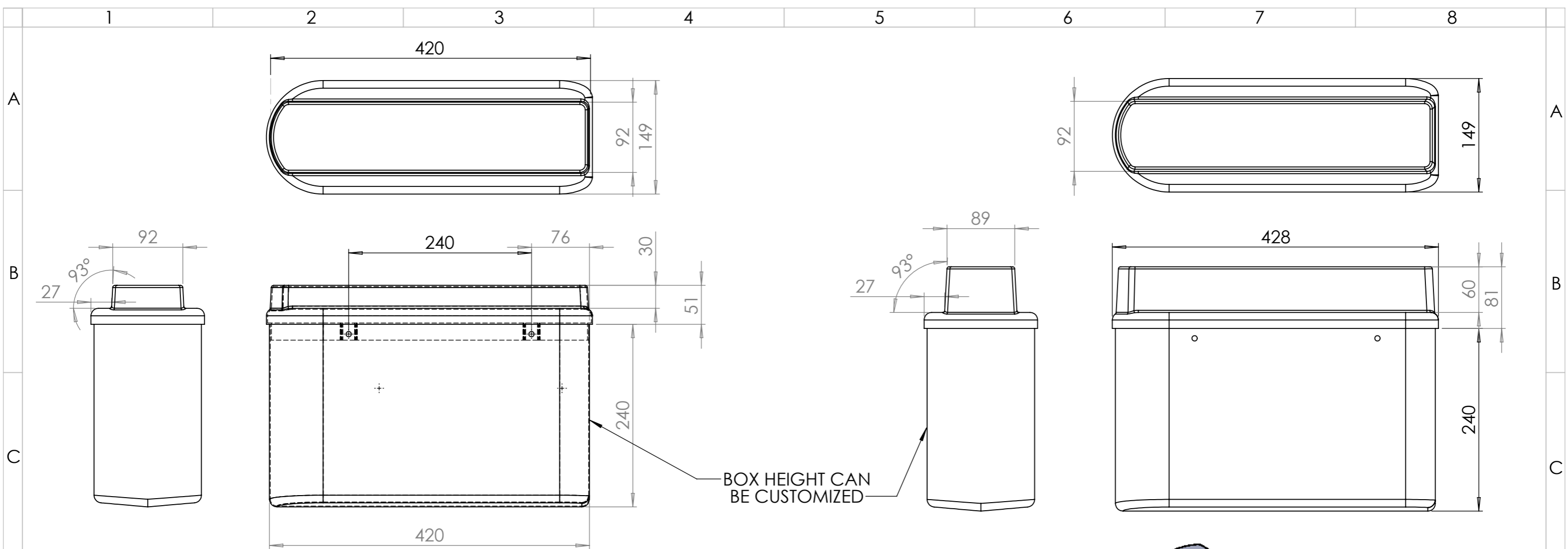
ALL DIMENSIONS IN MILLIMETERS		
TOLERANCES (AT 20°C) UNLESS OTHERWISE STATED		
NOMINAL	LINEAR DIMENSIONS	SURFACE FINISHES:
OVER-INCL	< 0.00 0.00	MILLING N8 TURNING N7 GRINDING N6
0-200	+/- 0.50 +/- 0.15	
250-1000	+/- 1.00 +/- 0.20	
1000 PLUS	+/- 2.00 +/- 0.30	
	ANG DIMS +/- 0.5°	

REMOVE ALL BURRS AND SHARP EDGES UNLESS OTHERWISE STATED
HOLES TO BS4500 1985.
THREADS TO BS3643 1981 METRIC COURSE.
BSP THREADS TO BS 2779 MED FIT
THIS A DRAWING IS A PRIVATE AND CONFIDENTIAL COMMUNICATION

Reverie Ltd
Unit 2 Chandlers Row
Colchester
Essex
CO1 2HG
01206 866663
www.reverie.ltd.uk

DRAWN: CA	APP:
DATE: 19/07/2011	
FINISH: SEE DRAWING	
SCALE: DO NOT SCALE	
WEIGHT: -	

PART NO(S): R01SE0033, R01SE0077, R01SE0090, R01SE0099	
TITLE: HOCKENHEIM 422 AIR BOX WITH FLAT/20mm BACKPLATE	
CUSTOMER: N/A	
MATERIAL: C/FIBRE/GRP	
INSPECTION GRADE: A-1	PART QUALITY: B
DRG. NO.: SEE PART NO.S	



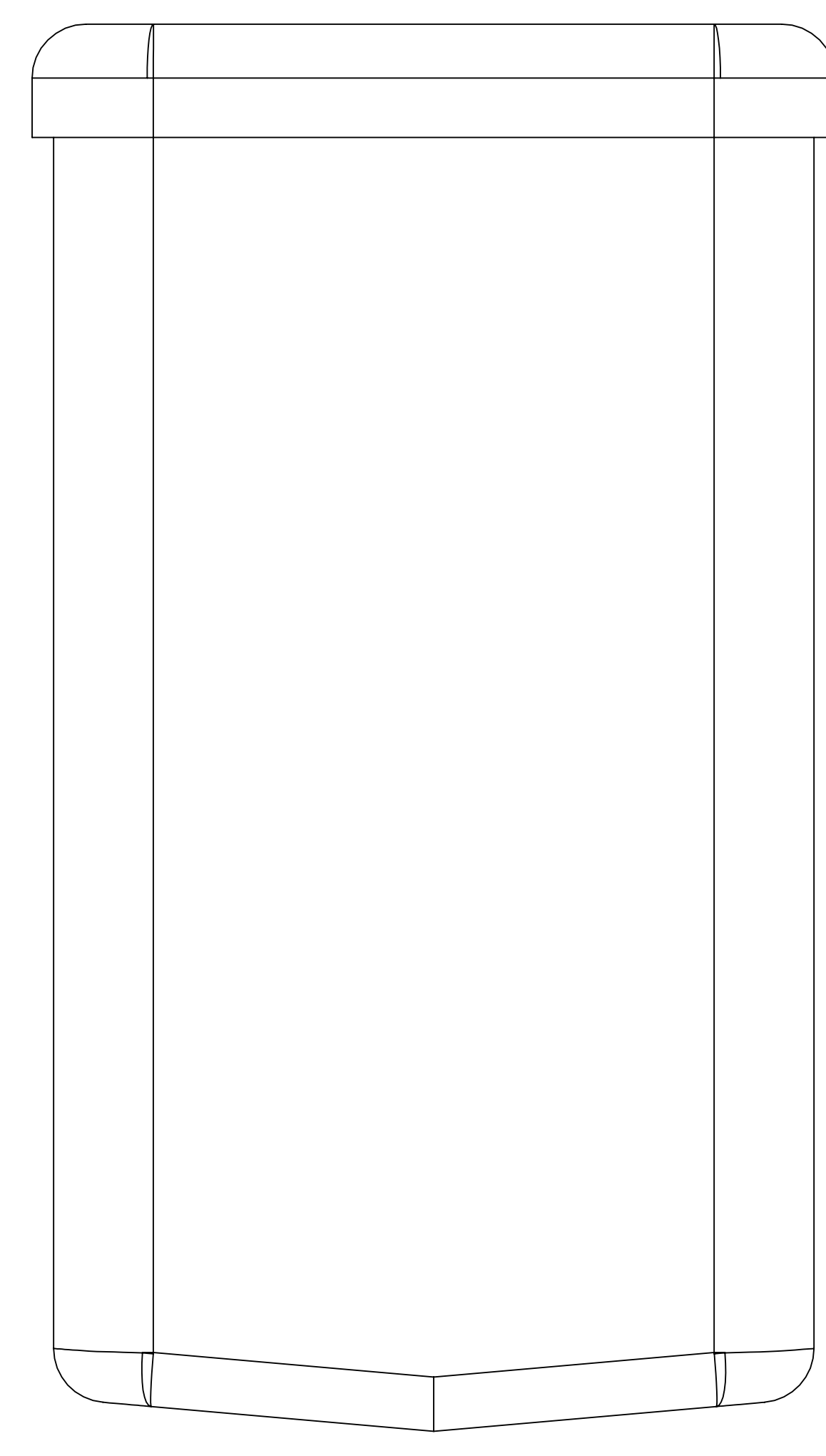
R01SE0719: 422 50mm B/PLATE CARBON
 R01SE0721: 422 50mm B/PLATE GRP

R01SE0720: 422 80mm B/PLATE CARBON
 R01SE0722: 422 80mm B/PLATE GRP

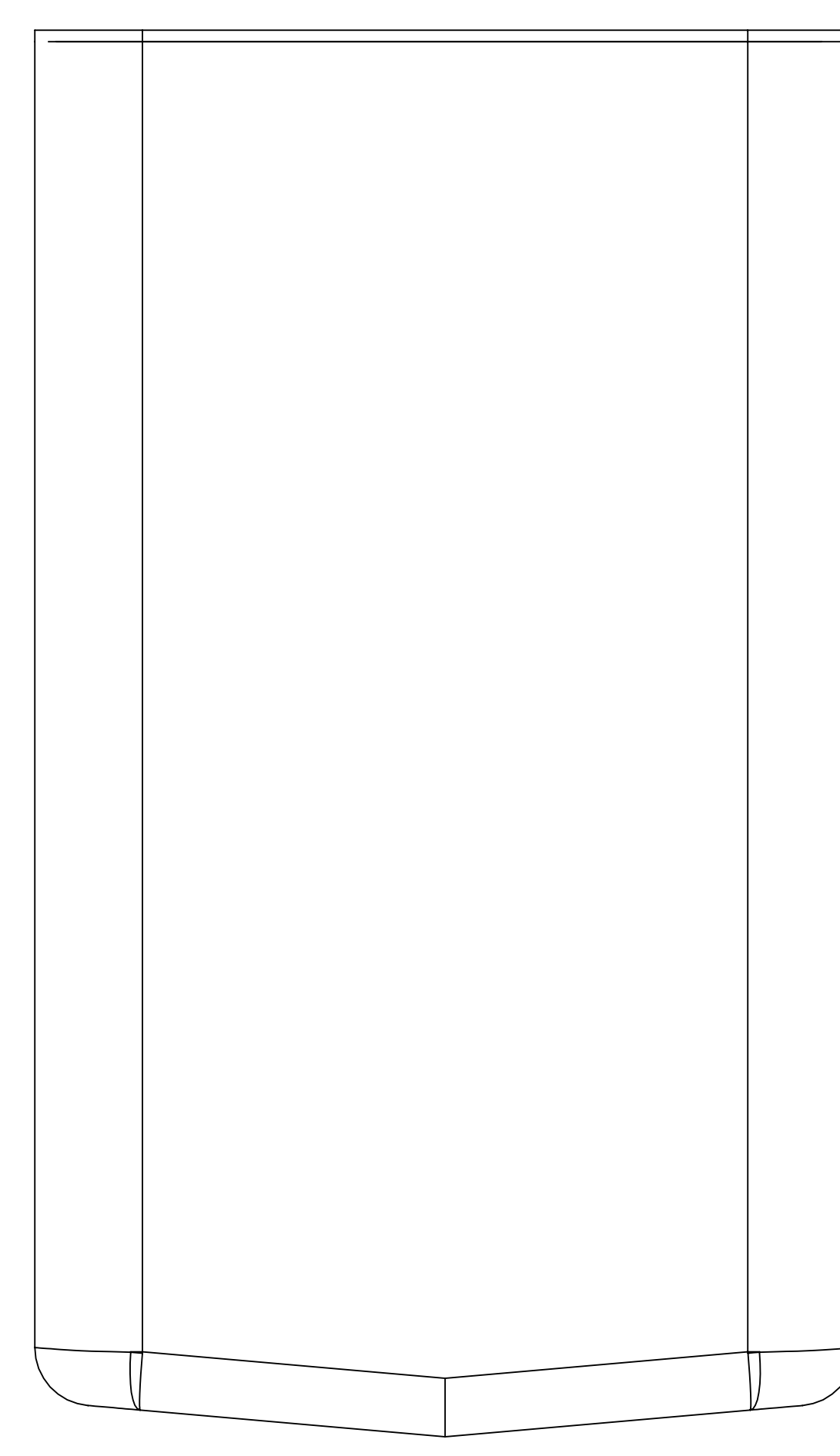
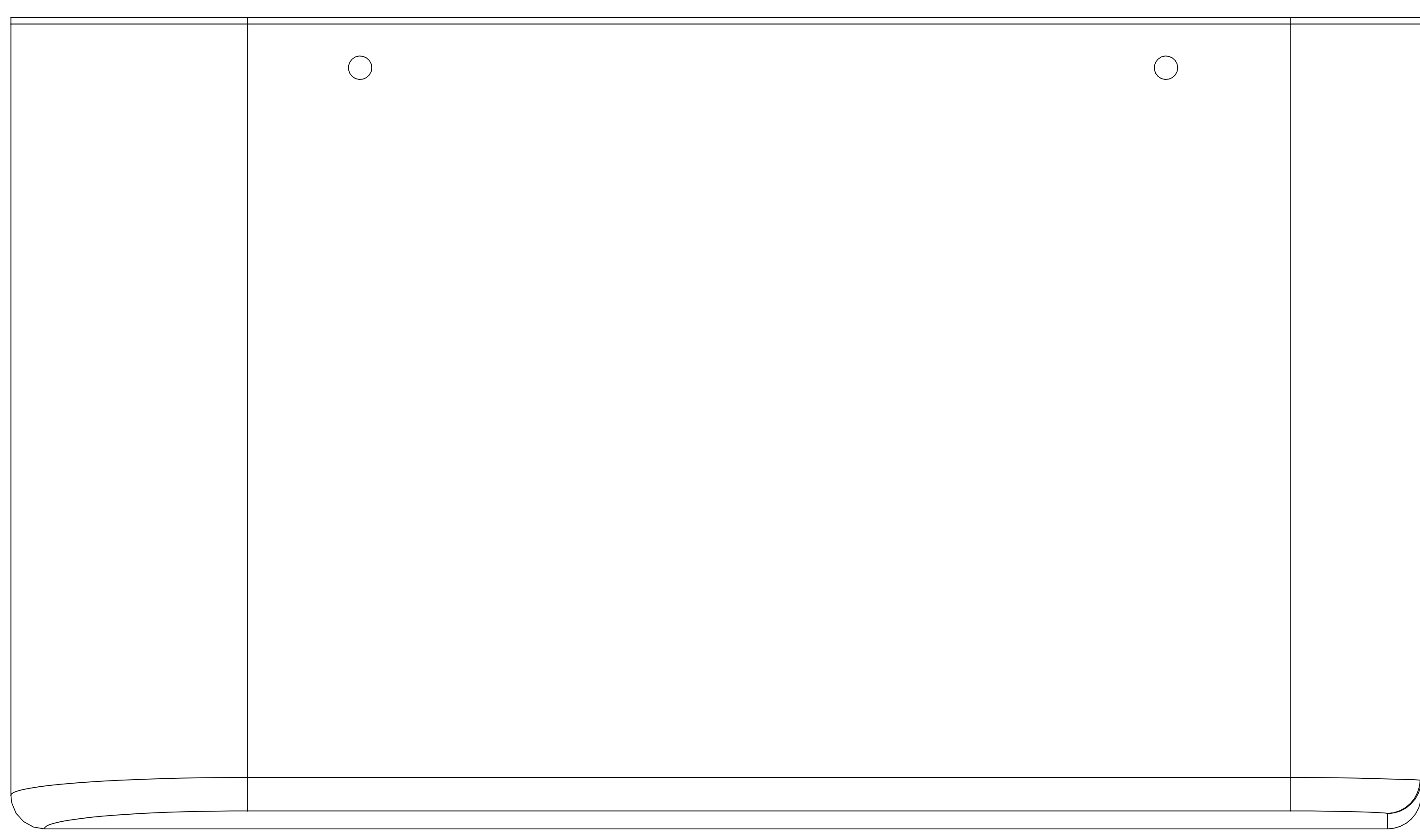
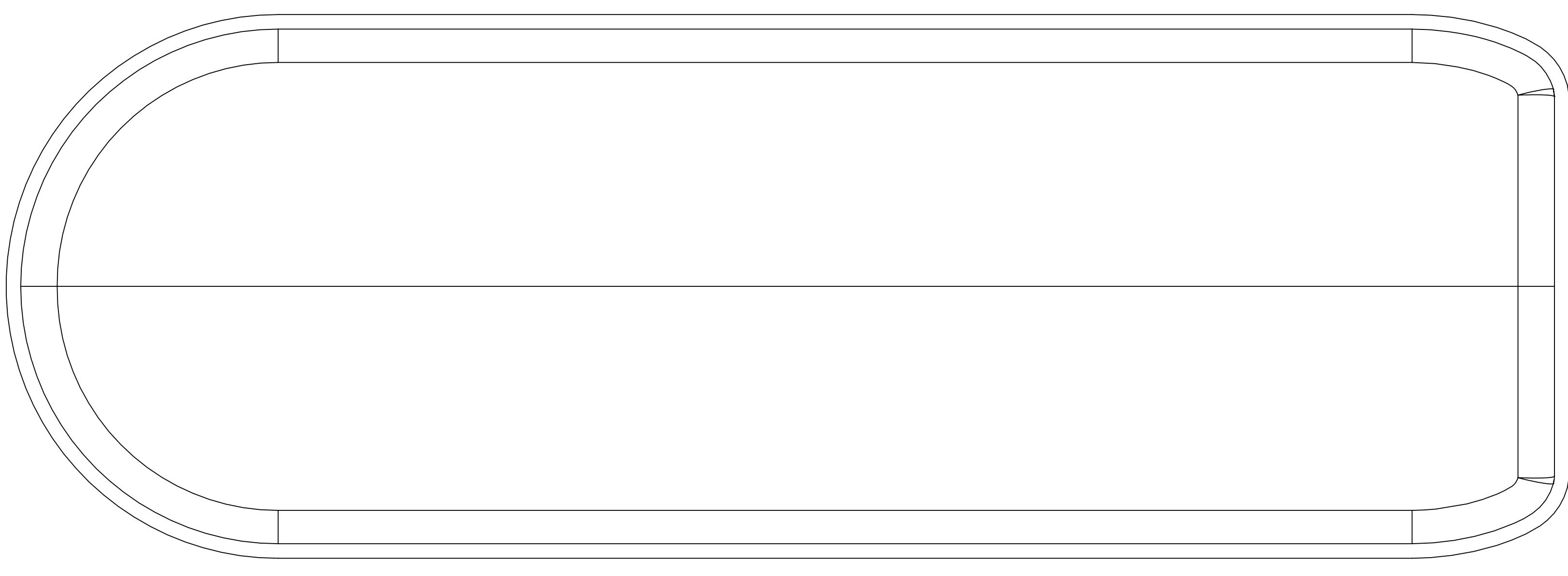
PRODUCTION\QUALITY SIGN OFF: SIMON FARREN
 COSTING\SPECIFICATION SIGN OFF: SIMON FARREN
 A3 SHEET 2 OF 3

ISS: DESCRIPTION:		INITIALS:	E.C.N. NO:	DATE:	ALL DIMENSIONS IN MILLIMETERS		<small>REMOVE ALL BURRS AND SHARP EDGES UNLESS OTHERWISE STATED</small> <small>HOLES TO BS4500 1985.</small> <small>THREADS TO BS3643 1981 METRIC COURSE.</small> <small>BSP THREADS TO BS 2779 MED FIT</small> <small>THIS A DRAWING IS A PRIVATE AND CONFIDENTIAL COMMUNICATION</small>		DRAWN:	APP:	PART NO(S): R01SE0719, R01SE0720, R01SE0721, R01SE0722		
1	Original issue	CA		19/07/2011	<small>TOLERANCES (AT 20°C) UNLESS OTHERWISE STATED</small>				DATE:		19/07/2011		TITLE: HOCKENHEIM 422 AIR BOX WITH 50/80mm BACKPLATE
					NOMINAL LINEAR DIMENSIONS	SURFACE FINISHES:			FINISH:		SEE DRAWING		CUSTOMER: N/A
					OVER-INCL < 0.00 0.00	MILLING N8 TURNING N7 GRINDING N6			SCALE:		DO NOT SCALE		MATERIAL: C/FIBRE/GRP
					0-200 +/- 0.50 +/- 0.15	ANG DIMS +/- 0.5			WEIGHT:		-		INSPECTION GRADE: A-1 PART QUALITY: B
					250-1000 +/- 1.00 +/- 0.20						DRG. NO.: SEE PART NO.S		
					1000 PLUS +/- 2.00 +/- 0.30								

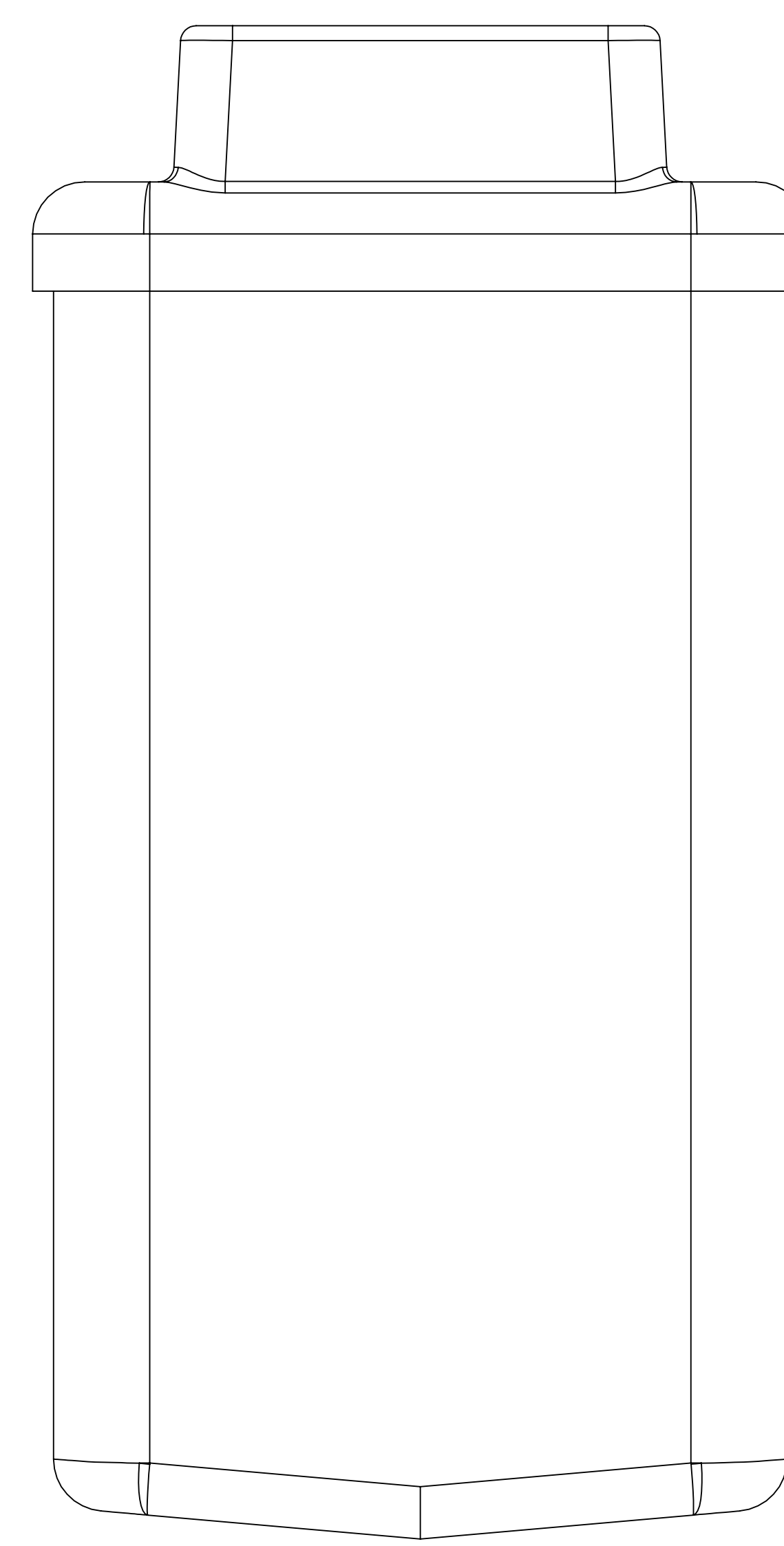
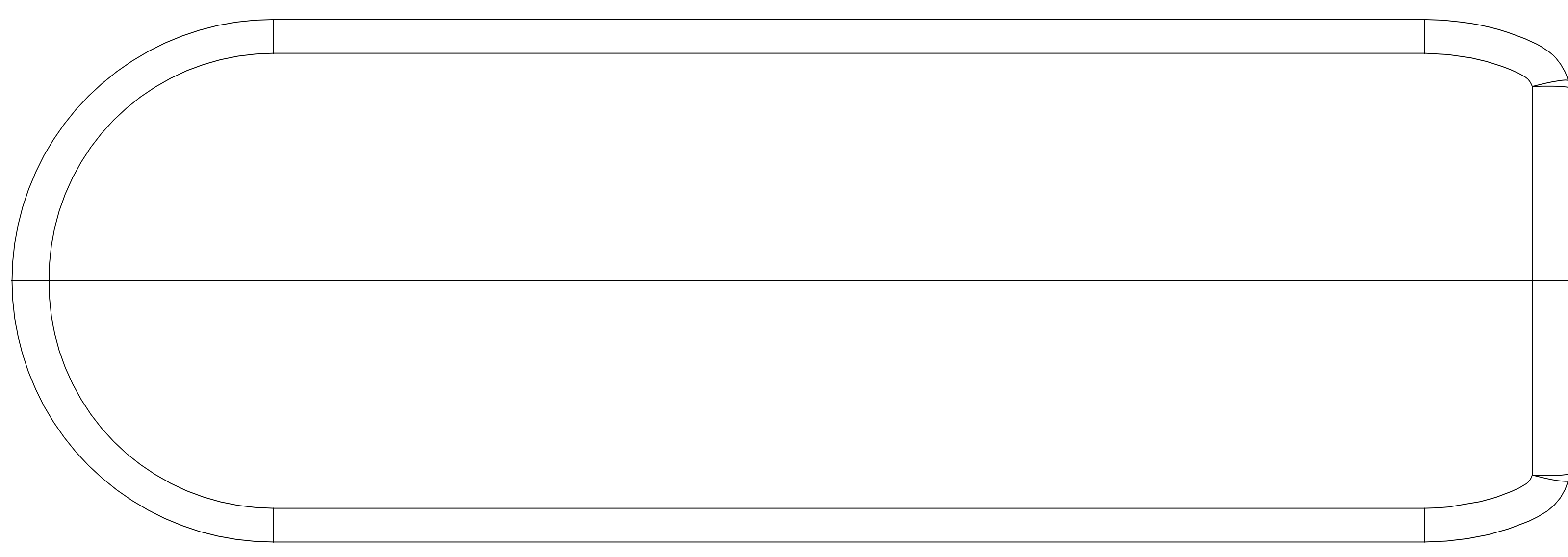
Reverie Ltd
 Unit 2 Chandlers Row
 Colchester
 Essex
 CO1 2HG
 01206 866663
 www.reverie.ltd.uk



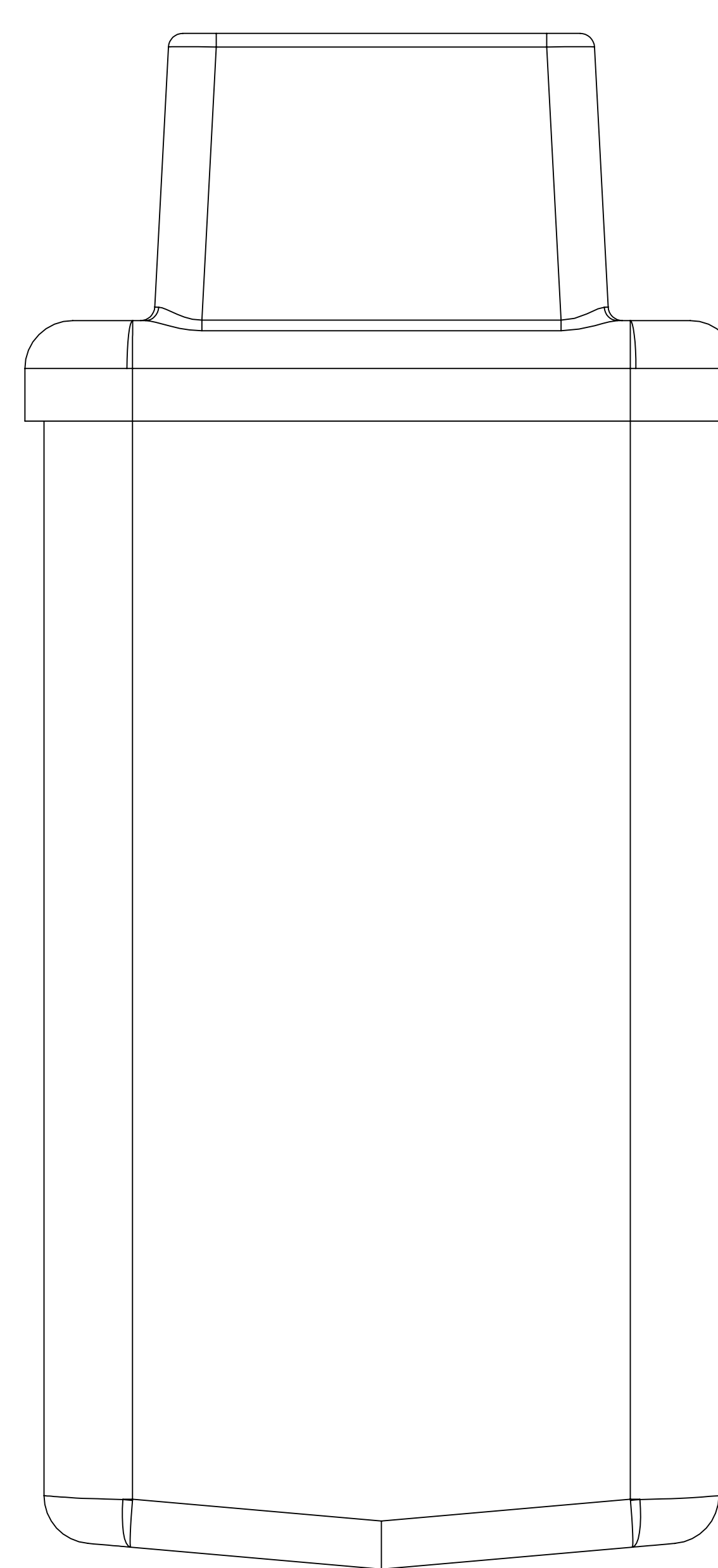
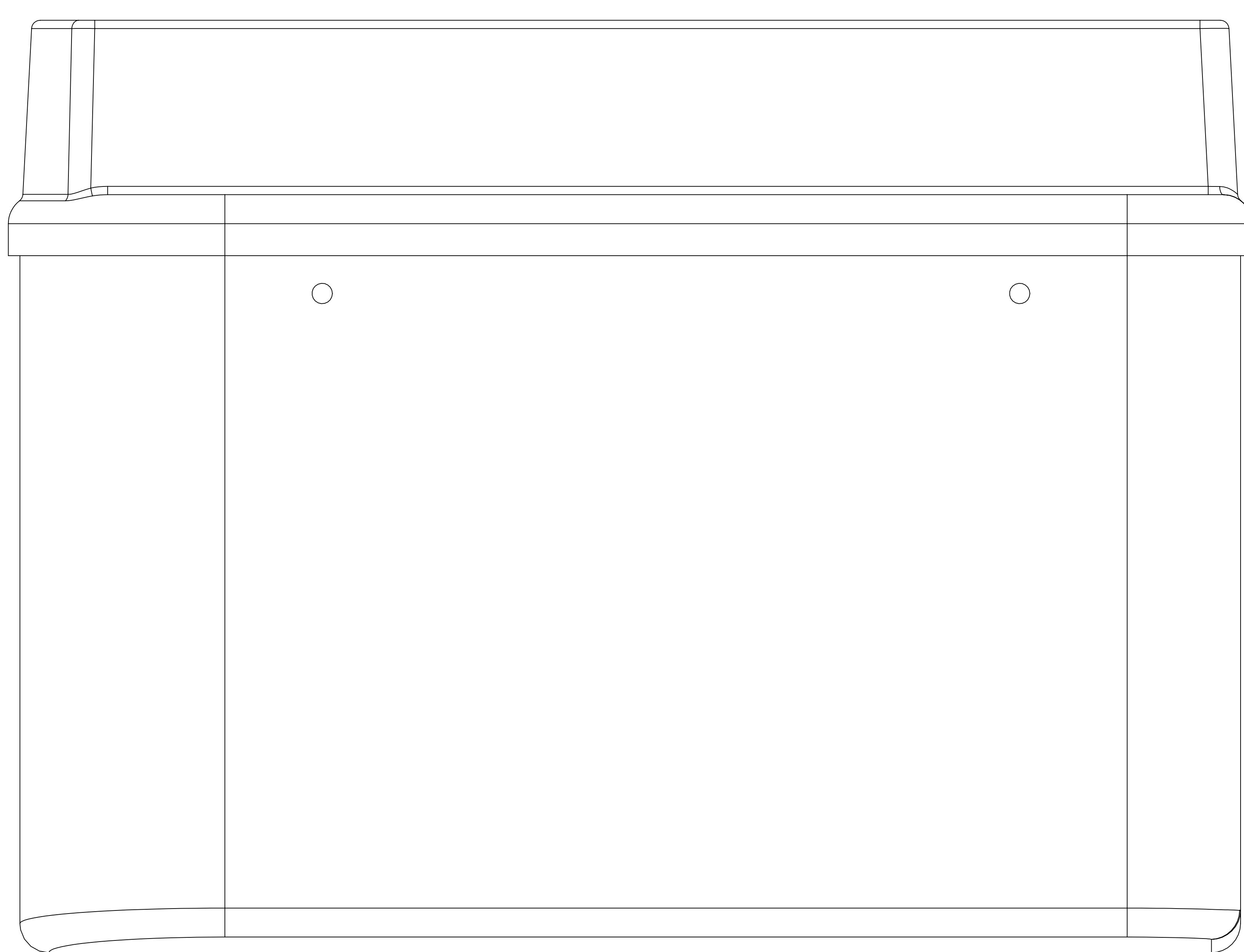
R01SE0033/R01SE0090



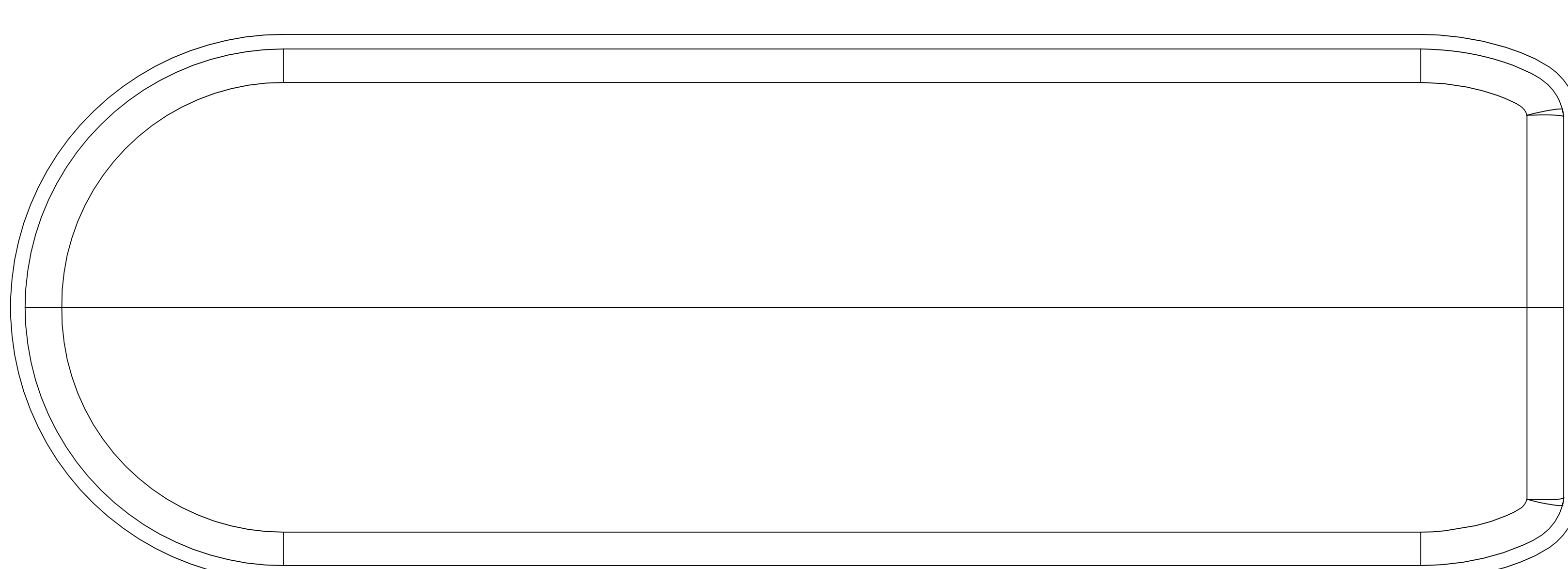
R01SE0077/R01SE0099



R01SE0719/R01SE0721



R01SE0720/R01SE0722



1:1 100% SCALE